



Libra MAX-LT

All-In-One Outdoor Base Station



Features

- Rugged all-in-one ODU design
- Low latency solution
- 10/100 Ethernet Port
- Minimal indoor footprint simplifies deployment
- IEEE 802.16d WiMAX compliant
- Best in class spectral efficiency
- Non-Line-of-Sight operation
- Part of the award winning Libra MAX family
- Web-GUI Interface for Network Configuration and Management
- WiMAX Level QoS: BE, nrtPS, UGS and rtPS
- SNMP Management Support with Enterprise MIBs

Advanced WiMAX Technology

A fully-featured WiMAX Base Station - in a convenient all-outdoor enclosure for the cost-effective delivery of broadband wireless applications. Capable of broadband WiMAX speeds for last-mile communication in the licensed 3.3-3.8 GHz range.

Libra MAX-LT takes all of the popular features from EION's Libra MAX-HD chassis based system and repackages them into an outdoor enclosure for the rapid deployment of point-to-point and point-to-multipoint WiMAX networks.

Libra MAX-LT is part of the award winning Libra MAX Product family

Libra MAX Base Station Products

- Libra MAX-LT:** All-in-one Outdoor Base Station
- Libra MAX-RBS:** Dual Antenna Rapid Backhaul System

Libra MAX Subscriber Station Products

- Libra MAX-SP:** Outdoor SS with WiFi Hotspot
- Libra MAX-SS:** Outdoor WiMAX Subscriber Station



Ordering Info

Description	Item Number
Libra MAX-LT 3335, Outdoor WiMAX Base Station 3.3-3.5 GHz	9120-1233
Libra MAX-LT 3436, Outdoor WiMAX Base Station 3.4-3.6 GHz	9120-1234
Libra MAX-LT 3638, Outdoor WiMAX Base Station 3.6-3.8 GHz	9120-1235



320 March Road, Suite 500, Ottawa, ON, K2K 2E3, Canada
 Phone: +1 (613) 271-4400, Fax: +1 (613) 271-7040
 www.eionwireless.com



Specifications – Libra MAX-LT

All-In-One Outdoor WiMAX Base Station

Radio

Standard

802.16-2004, Corr D5 & D12

PHY Profile

256FFT OFDM

Frequency Range*

3.3 to 3.5 GHz

3.4 to 3.6 GHz

3.6 to 3.8 GHz

Duplex Scheme

TDD

Tx Power

+22 dBm

Channel Size

3.5, 7 MHz

Rx Sensitivity (at 10E-6 BER)

	3.5 MHz	7 MHz
BPSK 1/2	-91 dBm	-88 dBm
64-QAM 3/4	-74 dBm	-71 dBm

Configurable Frame Sizes

2.5, 4, 5, 8, 10, 12.5, 20 ms, with configurable cyclic prefix

WiMAX System Profile

{profM3_PMP.TDD.profP3_3_5.profP3_7.profC3_20}

Effective Throughput

16 Mbps (TCP/IP)

Physical, Electrical & Environmental

Enclosure

Fully weatherproof, designed to IP67 standards

Dimensions

230 (w) x 65 (d) x 230 (h) mm

Weight

2.0 kg

Relative Humidity

0-95%

Operating Temperature

-50° C to + 60° C

Input Voltage

48 VDC supplied via 100-240 VAC PoE

Interfaces

Antenna

N-type female

Network Connection

10/100 BaseT

Wireless Networking

Scheduling (QoS)

BE, nrtPS, UGS, rtPS

Service Flow Management

16 Service Flows per SS

Polling

Unicast, Broadcast

Networking Features

TCP/IP traffic Classification, IPv4 802.3, Bridging, VLAN passthrough (802.1Q), Intra-sector Bridging, IP address recovery, Management VLAN, DHCP relay

Security

DES[†], 3DES[†], Configuration Security

Management

Web-based GUI, Remote Upgradeable, SNMP v2/v3 with Enterprise MIB, Backup & Restore Configuration

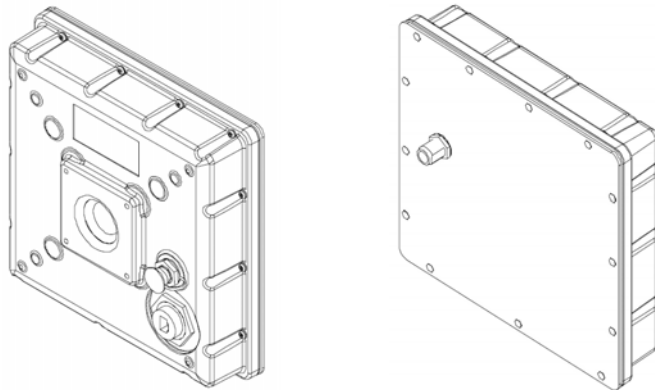
Regulatory Compliance

ETSI EN 301, 489-1, 302, 326-2; EN50385, EN55022 (EU)

UL 60950, equivalent EN60950 (EU)

RoHS, CE

WiMAX Certified Chipset



* Operational frequency and transmit power may be restricted by the vendor to meet regional regulations. The operator of this product must ensure compliance with the limits specified by local regulation prior to deployment.

† Feature may not be available in all variants and regions. Contact EION Wireless sales for details.