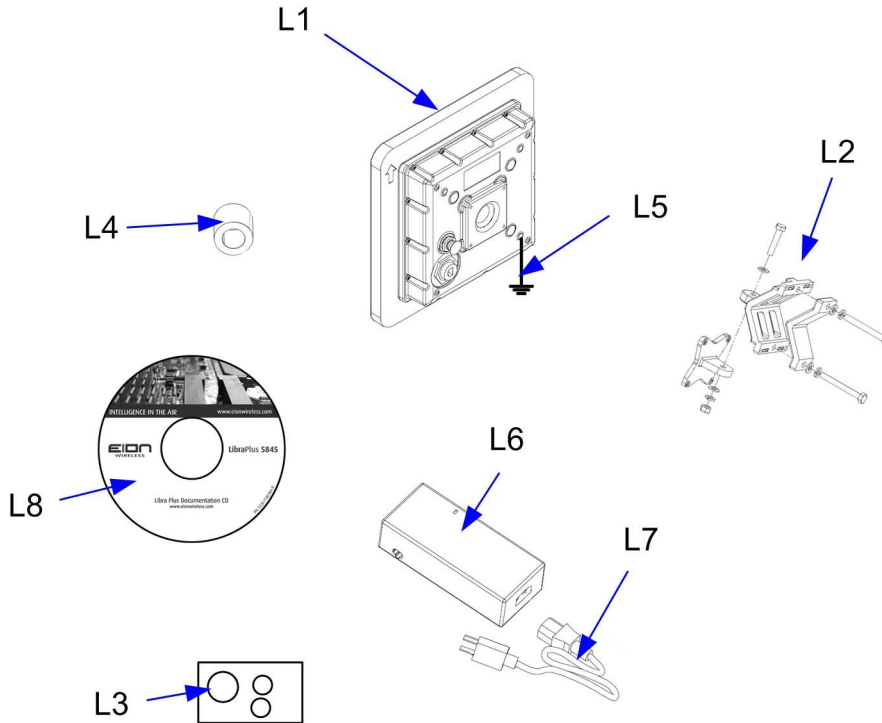


Application Note: 5724-0004

LibraPlus 5845 System Checklist

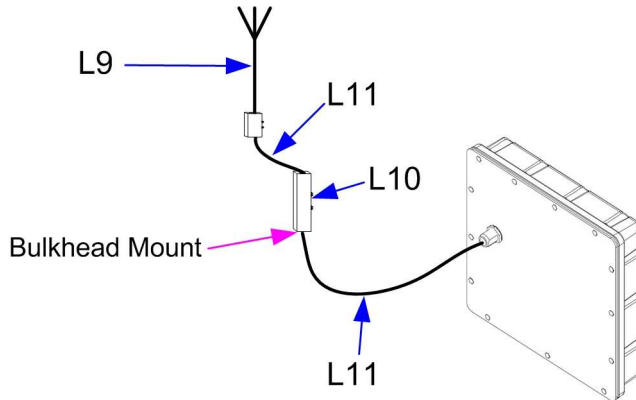
Basic System



Item	Description	Part Number	Note
L1	LibraPlus 5845-26 CPE (Customer Premises Equipment) Point-to-Multipoint System	9140-2302	Includes L2, L3, L4, L5, L6, L7 and L8
	LibraPlus 5845-26 AP (Access Point) Point-to-Multipoint System	9140-2303	Includes L2, L3, L4, L5, L6, L7 and L8
	LibraPlus 5845-26 RD (Rapid Deployment) Point-to-Point System	9140-2300	Includes L2, L3, L4, L5, L6, L7 and L8
	LibraPlus 5845-26 ER (Extended Range) Point-to-Point System	9140-2301	Includes L2, L3, L4, L5, L6, L7 and L8
	LibraPlus 5845-26 LCPE (Long range CPE) Point-to-Multipoint System	9140-2304	Includes L2, L3, L4, L5, L6, L7 and L8
	LibraPlus 5845-28 CPE (Customer Premises Equipment) Point-to-Multipoint System	9140-2802	Includes L2, L3, L4, L5, L6, L7 and L8
	LibraPlus 5845-28 AP (Access Point) Point-to-Multipoint System	9140-2803	Includes L2, L3, L4, L5, L6, L7 and L8

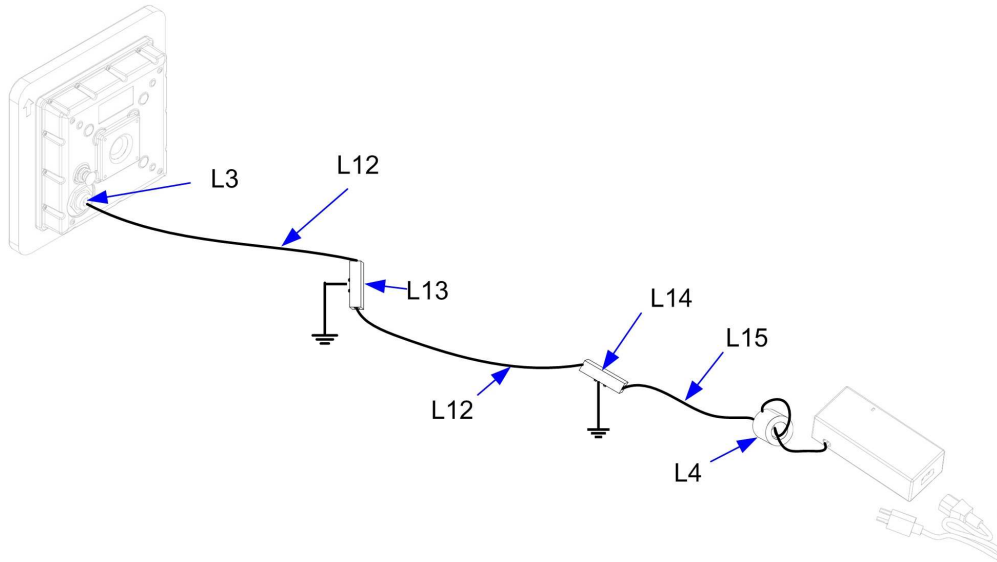
Item	Description	Part Number	Note
L1	LibraPlus 5845-28 RD (Rapid Deployment) Point-to-Point System	9140-2800	Includes L2, L3, L4, L5, L6, L7 and L8
	LibraPlus 5845-28 ER (Extended Range) Point-to-Point System	9140-2801	Includes L2, L3, L4, L5, L6, L7 and L8
	LibraPlus 5845-28 LCPE (Long range CPE) Point-to-Multipoint System	9140-2804	Includes L2, L3, L4, L5, L6, L7 and L8
L2	Pole/Wall Mounting Bracket Kit	1440-0007	Included in L1
L3	RJ45 Weatherproofing Kit	2101-0033	Included in L1
L4	Round Cable Ferrite Bead	4400-0018	Included in L1
L5	Grounding Lug	2570-0027	Included in L1
L6	Power inserter 110-220 AC 48VDC @ 60W	4000-0040	Included in L1, use with LibraPlus Mfg RIs: Bx only
	Power inserter 110-220V	4000-0025	Use with Mfg RIs: Ax or 0x only
L7	NEMA Power Cord 5-15P-IEC-320	4010-004	Included in L1
L8	LibraPlus Instruction CD	5720-7140	Included in L1

Antenna Cabling (LCPE, ER and AP Only)



Item	Description	Part Number	Notes
L9	5.8GHz 23dBi 9.5deg Flat Panel 14.5"x14.5" Tiltek: TA-5206 (5.25-5.35/5.725-5.875)	1200-0358	
	5.8GHz 16dBi 90deg Sectoral Horizontal 26"x6" Tiltek: TA-5405H-14-90 (5.47-5.725)	1200-0402	
	5.8GHz 16dBi 90deg Sectoral Vertical 26"x6" Tiltek: TA5404-14-90 (5.47-5.725)	1200-0403	
	5.8GHz 16dBi 120deg Sectoral Vertical. Radio Wave: SEC-5V-120-16 (5.725-5.850)	1200-0404	
	5.8 GHz 34.2dBi 3° Parabolic dish 48"; Tri-point Global: QF-4-52-N (5.25-5.85)	1200-0501	
	5.8 GHz 37.5dBi 2° Parabolic dish 72" w/ Radome; Tri-Point: QF6-52-NRK (5.25-5.85)	1200-0506	
	5.8 GHz 10dBi Omni 15"; Radiall Larsen: R380.700.205.5725 (5.725-5.875)	1200-0515	
	5.8GHz 28dBi 6deg Parabolic dish 24" Tiltek: TA-5724 (5.725-5.875)	1200-0539	
	5.8GHz 28dBi 6deg Parabolic dish 24" w/Radome. Tiltek: TA-5724R (5.725-5.875)	1200-0540	
L10	5.8 GHz Surge Suppressor N(F)-N(F)	1220-0025	Optional
L11	30cm (12 inch), LMR400 Ultra-Flex, Patch N(M)- N(M).	6010-0014	
	90cm (36 inch), LMR400 Ultra-Flex, Patch N(M)- N(M).	6010-0019	

PoE Wiring



Item	Description	Part Number	Notes
L3	RJ45 Weatherproofing Kit	2101-0003	Included in L1
L4	Round Cable Ferrite Bead	440-0018	Included in L1
L12	10m Outdoor Shielded CAT5 power-over-ethernet cable w / weatherproof connector	6010-1414	One 6010-14xx cable from list is required if not building own cable using L3 (included)
	30m Outdoor Shielded CAT5 power-over-ethernet cable w / weatherproof connector	6010-1415	
	100m Outdoor Shielded CAT5 power-over-ethernet cable w/weatherproof connector	6010-1416	
	65m Outdoor Shielded CAT5 power-over-ethernet cable w/weatherproof connector	6010-1436	
L13	RS485 Ethernet Surge Suppressor Transtector ALPU-WLAN (Hardware/Screwmount)	1220-0041	Optional*
L14	Ethernet Surge Suppressor - Huber Suhner 3414.99.0001 (RJ45-RJ45) Indoor at ground lug	1220-0042	Optional**
L15	Indoor CAT5E cable	-	Customer supplied

* Order 1x 6010-14XX (L12) cable from list for use in this application. Cut cable at point of desired insertion of ALPU (L13). Use existing weatherproof connector side for radio. Hardwire cable ends into ALPU.

** L14 is designed for indoor use only. L15 is a customer supplied shielded indoor CAT5E cable